

A

B

C

D

1

2

3

4

5

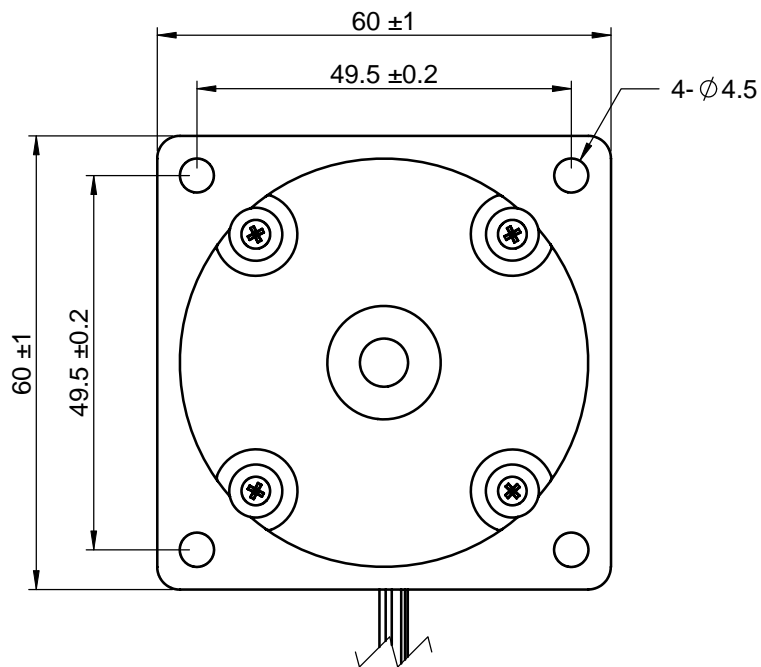
6

A

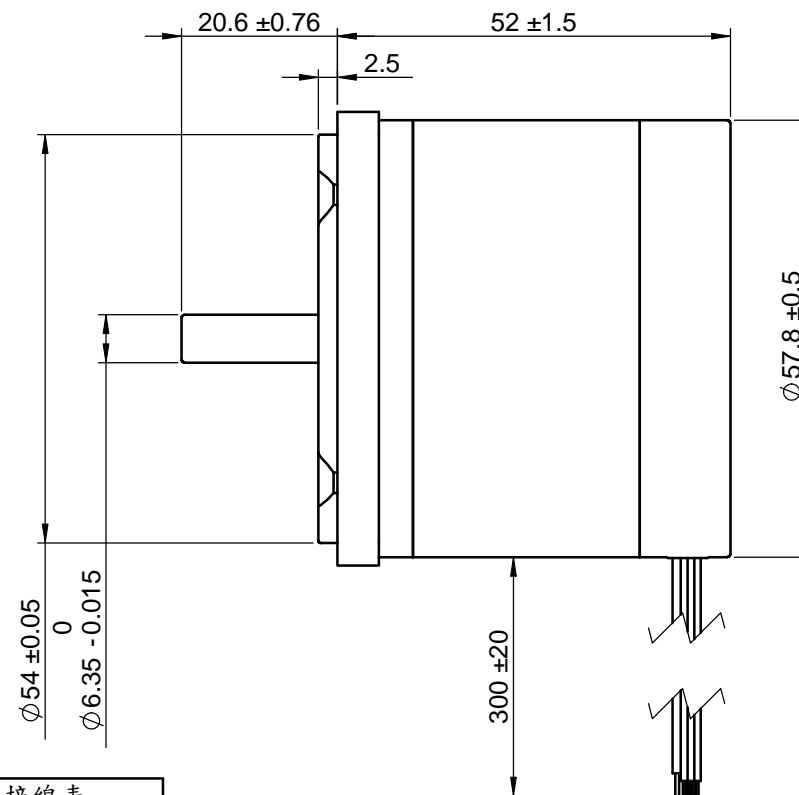
B

C

D

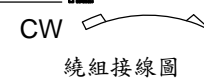



(繞組線徑為 UL1007 22AWG ,
感應器線徑為 UL1007 26AWG)



Hall 接線表		
Pin	Color	功能(說明)
1	Red	Hall U
2	Black	GND
3	Yellow	Hall V
4	Orange	+5V
5	Green	Hall W

Motor 接線表		
Pin	Color	功能(說明)
1	Brown	Motor U
2	White	Motor V
3	Blue	Motor W



White v  w Blue

MODEL		NO LOAD		AT MAXIMUM EFFICIENCY					THIRD ANGLE PROJECTION ALL DIMENSION ARE IN MM (UNLESS OTHERWISE SPECIFIED)	製圖 設計 審核 材料 完成時間	JOANNE	Cheshire Electric Company, LLC		
NOMINAL	24V DC	SPEED RPM	CURRENT A	SPEED RPM	CURRENT A	TORQUE g-cm	OUTPUT W	EFF %				Part No	Name	REV. NO.
JB57-F0G1A718		4400	0.33	3756	1.82	995.37	39.25	89.72	繪製比例: 1:1	2011/9/29	DC Brushless motor			

1

2

3

4

5

6